



LAUFEN PRO S

Vanity unit

DIMENSIONS

Length 550 mm.

Width 370 mm.

Height 390 mm.

OPTIONS

F095 - LAUFEN PRO

SPECIFICATION TEXT

Body/Front – MDF board with PVC foil

Integrated handle in the front

MOUNTING ACCESSORIES INCLUDED

Installation set for furniture, order no. 49120.6,49114.0

MOUNTING ACCESSORIES EXCLUDED

Feet (2 pieces), aluminium, order no. 483101.Towel rail, anodized aluminium, order no. 490950.Space saving siphon, order no. 894240

COLOURS AND FINISHES



423 Wenge

#features_text

Vanity unit, 1 drawer and interior drawer, incl. drawer organiser, matches washbasin 818959

Adjustable legs

Basin position: Central

Basin type: Vanity

Doors and drawers combination: 1 drawer

Furniture configuration: Drawers

Installation type: Wall-hung

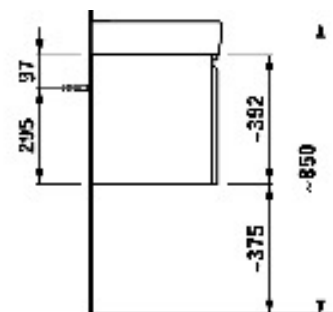
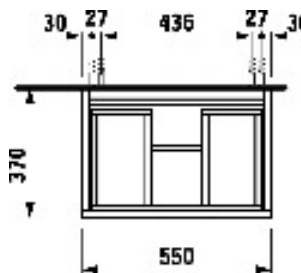
Internal drawers: 1

Internal shelves: 0

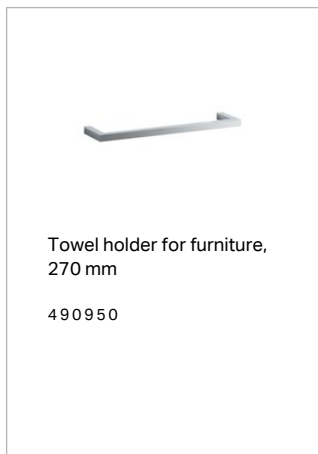
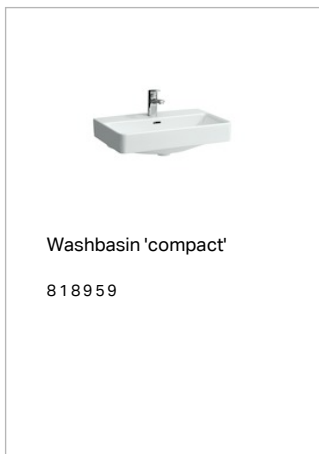
Legs included: 0

Towel rail position: Left, Right

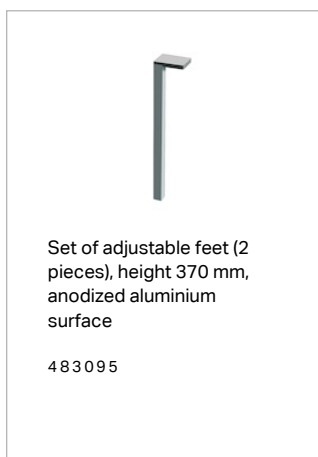
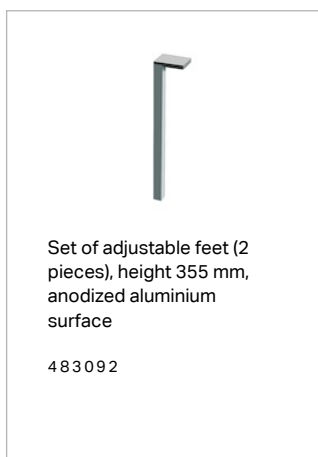
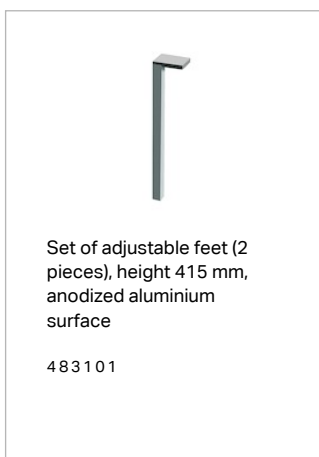
TECHNICAL DRAWINGS



COMPATIBLE WITH



COMPATIBLE WITH





LAUFEN PRO S

LAUFEN pro S is the new member of the successful LAUFEN pro series. Thanks to the delicate redesign, the elegant pro S is compatible with all pro variants.



INSTALLATION AND USER MANUALS



[Technical Fact Sheet](#)



[Spare Parts Catalogue](#)



[Mounting Instruction](#)



[Mounting Instruction](#)